

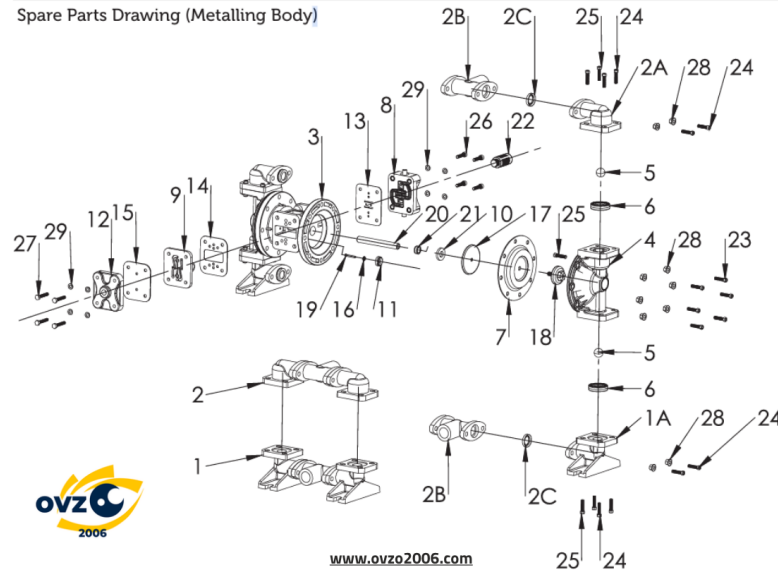
HUGE®PARTS



HP 05 (3/4") Metalik Diyaframlı Pompa *Spare PARTS*



Spare Parts Drawing (Metalling Body)



Completely interchangeable with HUGE pumps parts. HUGE® is a registered trademark of Günalsan Pompa ve Makine San. Tic. Ltd. OVZO2006® offers parts that fit HUGE products, but they are not genuine HUGE parts. All manufacturers names, symbols and descriptions on this website are used for reference purposes only, And it is not implied that any units or parts listed is the product of these manufacturers. Original Equipment Manufacturer "OEM" part / reference numbers are listed for information/reference purposes only. Trademarks identifying these parts are those of each OEM and are the property of their owners and are not used, or authorized for use, by OVZO2006 or its affiliates. Cross-referenced parts from the Original Equipment Manufacturer "OEM" are listed for information purposes only. OVZO2006 is not affiliated with the OEM or licensed/authorized to produce parts for the OEM. Some parts offered on this website are Genuine OVZO2006 Manufactured and not of the OEM.



OV-1-S010530
Giriş Hattı
Alüminyum



OV-2-S020530
Çıkış Hattı
Alüminyum



OV-3-H010533
Ana Gövde
Polipropilen



OV-4-S030530
Dış Kapak
Alüminyum



OV-5-S040545
Top NEOPREN



OV-5-S040546
Top SANTOPREN



OV-5-S040547
Top BUNA N NBR



OV-5-S040548
Top EPDM



OV-5-S040550
Top TEFLON PTFE



OV-5-S040551
Top VITON FKM



OV-6-S050536
Top Yuvası
Polyethylene



OV-6-S050545
Top Yuvası
NEOPREN



OV-6-S050546
Top Yuvası
SANTOPREN



OV-6-S050547
Top Yuvası
BUNA N NBR



OV-6-S050548
Top Yuvası
EPDM



OV-6-S050550
Top Yuvası
TEFLON PTFE



OV-6-S050551
Top Yuvası
VITON FKM



OV-7-S060545
Diyafam
NEOPREN



OV-7-S060546
Diyafam
SANTOPREN



OV-7-S060547
Diyafam
BUNA N NBR



OV-7-S060548
Diyafam
EPDM



OV-7-S060550
Diyafam
TEFLON PTFE



OV-7-S060551
Diyafam
VITON FKM



OV-8-H030533
Hava Valfi Tamir
Kiti Polipropilen



OV-9-H040533
Pilot Valfi Tamir
Kiti Polipropilen



OV-10-H050547
Dayama
BUNA N NBR



OV-11-H060536
Pim Burcu
Polipropilen



OV-12-H070533
Kapak, Hava Girişi
Polipropilen



OV-13-H080547
Conta, Hava Valfi
İçin BUNA N NBR



OV-14-H090547
Conta, Pilot Valf
Ön



OV-15-H100547
Conta, Pilot Valf
Arka



OV-16-H120547
O-ring, Pim İçin



OV-17-H130590
İç Diyafram Tutucu
Alüminyum



OV-18-S070533
Dış Diyafram
Tutucu
Polipropilen



OV-19-H140590
Dayama Pimi



OV-20-H150590
Mil
Paslanmaz Çelik



OV-21-H160545
Yağ Keçesi



OV-22-H170536
Susturucu
Polyethylene



OV-23-Pul M 6



OV-24-Civata M 6
X 30 (imbus)



OV-25 Civata
M 6 X 35



OV-26- Civata
M 8 X 35



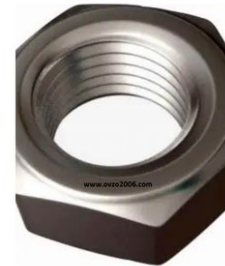
OV-27- Civata
M 8 X 25



OV-28- Civata
M 8 X 40



OV-29-Pul M 8



OV-30-Somun M 8

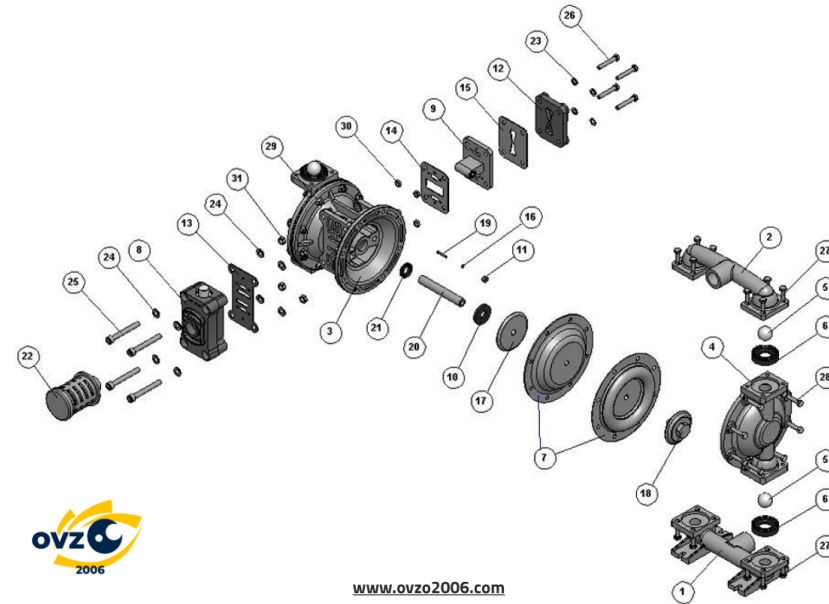


OV-31-Somun
Flanşlı M 8

HUGE®PARTS



HP 10 (1") Metalik Diyaframlı Pompa *Spare PARTS*



Completely interchangeable with HUGE pumps parts. HUGE® is a registered trademark of Günalsan Pompa ve Makine San. Tic. Ltd. OVZO2006® offers parts that fit HUGE products, but they are not genuine HUGE parts. All manufacturers names, symbols and descriptions on this website are used for reference purposes only, And it is not implied that any units or parts listed is the product of these manufacturers. Original Equipment Manufacturer "OEM" part / reference numbers are listed for information/reference purposes only. Trademarks identifying these parts are those of each OEM and are the property of their owners and are not used, or authorized for use, by OVZO2006 or its affiliates. Cross-referenced parts from the Original Equipment Manufacturer "OEM" are listed for information purposes only. OVZO2006 is not affiliated with the OEM or licensed/authorized to produce parts for the OEM. Some parts offered on this website are Genuine OVZO2006 Manufactured and not of the OEM.



OV-1-S011030
Giriş Hattı
Alüminyum



OV-1-S011031
Giriş Hattı
Dökme Demir



OV-1-S011032
Giriş Hattı
Paslanmaz Çelik



OV-2-S021030
Giriş Hattı
Alüminyum



OV-2-S021031
Giriş Hattı
Dökme Demir



OV-2-S021032
Giriş Hattı
Paslanmaz Çelik



OV-3-H011033
Ana Gövde
Polipropilen



OV-4-S031030
Dış Kapak
Alüminyum



OV-4-S031031
Dış Kapak
Dökme Demir



OV-4-S031032
Dış Kapak
Paslanmaz Çelik



OV-5-S041045
Top NEOPREN



OV-5-S041046
Top SANTOPREN



OV-5-S041047
Top BUNA N NBR



OV-5-S041048
Top EPDM



OV-5-S041050
Top TEFLON PTFE



OV-5-S041051
Top VITON FKM



OV-6-S051036
Top Yuvası
Polyethylene



OV-6-S051045
Top Yuvası
NEOPREN



OV-6-S051046
Top Yuvası
SANTOPREN



OV-6-S051047
Top Yuvası
BUNA N NBR



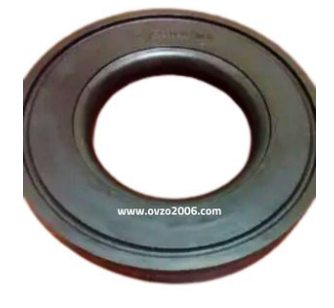
OV-6-S051048
Top Yuvası
EPDM



OV-6-S051049
Top Yuvası
Silikon



OV-6-S051050
Top Yuvası
TEFLON PTFE



OV-6-S051051
Top Yuvası
VITON FKM



OV-7-S061045
Diyafam
NEOPREN

OV-7-S061046
Diyafam
SANTOPREN

OV-7-S061047
Diyafam
BUNA N NBR

OV-7-S061048
Diyafam
EPDM

OV-7-S061049
Diyafam Silikon

OV-7-S061050
Diyafam
TEFLON PTFE



OV-7-S061051
Diyafam
VITON FKM

OV-8-H034030
Hava Valfi Tamir
Kiti Alüminyum

OV-8-H034033
Hava Valfi Tamir
Kiti Polipropilen

OV-9-H044030
Pilot Valfi Tamir
Kiti Alüminyum

OV-9-H044033
Pilot Valfi Tamir
Kiti Polipropilen

OV-10-H051047
Dayama
BUNA N NBR



OV-11-H061036
Pim Burcu
Polipropilen



OV-12-H071030
Kapak, Hava Girişi
Alüminyum



OV-12-H071033
Kapak, Hava Girişi
Polipropilen



OV-13-H084047
Conta, Hava Valfi
İçin BUNA N NBR
Paslanmaz Çelik



OV-14-H091047
Conta, Pilot Valf
Ön Polipropilen



OV-15-H104047
Conta, Pilot Valf
Arka



OV-16-H124047
O-ring, Pim İçin



OV-17-H131030 İç
Diyafram Tutucu
Alüminyum



OV-18-S071032
Dış Diyafram
Tutucu Alüminyum





OV-18-S071033
Dış Diyafram
Tutucu



OV-19-H141090
Dayama Pimi



OV-20-H151090
Mil
Paslanmaz Çelik



OV-21-H161047
Yağ Keçesi



OV-22-H174036
Susturucu
Polipropilen



OV-23 - 24- Pul M8
Pul M 10



OV-25-METAL
HAVA VALFİ İÇİN;
CM10X30-I Cıvata
M 10 X 30 (imbus)



OV-26-METAL
HAVA GİRİŞİ İÇİN;
CM8X45 Cıvata
M 8 X 45



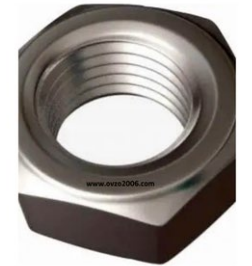
OV-27-CM8X25
Cıvata M 8 X 25



OV-28-CM8X30
Cıvata M 8 X 30



OV-29-CM8X40
Cıvata M 8 X 40

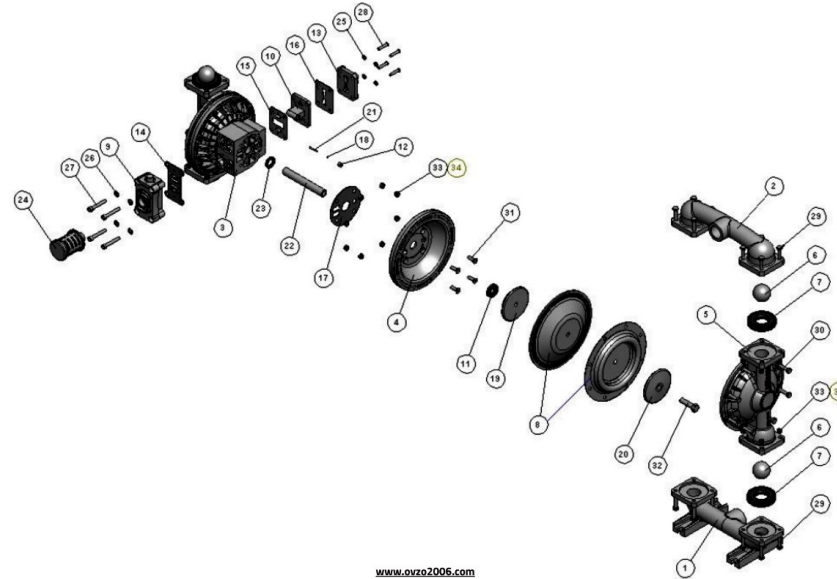


OV-30-SM8 Somun
M 8
SM8-P Somun M 8

HUGE®PARTS



HP 15 (1½") Metalik Diyaframlı Pompa *Spare PARTS*



Completely interchangeable with HUGE pumps parts. HUGE® is a registered trademark of Günalsan Pompa ve Makine San. Tic. Ltd. OVZO2006® offers parts that fit HUGE products, but they are not genuine HUGE parts. All manufacturers names, symbols and descriptions on this website are used for reference purposes only. And it is not implied that any units or parts listed is the product of these manufacturers. Original Equipment Manufacturer "OEM" part / reference numbers are listed for information/reference purposes only. Trademarks identifying these parts are those of each OEM and are the property of their owners and are not used, or authorized for use, by OVZO2006 or its affiliates. Cross-referenced parts from the Original Equipment Manufacturer "OEM" are listed for information purposes only. OVZO2006 is not affiliated with the OEM or licensed/authorized to produce parts for the OEM. Some parts offered on this website are Genuine OVZO2006 Manufactured and not of the OEM.



OV-1-S011530
Giriş Hattı
Alüminyum



OV-1-S011531
Giriş Hattı
Dökme Demir



OV-1-S011532
Giriş Hattı
Paslanmaz Çelik



OV-2-S021530
Çıkış Hattı
Alüminyum



OV-2-S021531
Çıkış Hattı
Dökme Demir



OV-2-S021532
Çıkış Hattı
Paslanmaz Çelik



OV-3-H016030
Ana Gövde
Alüminyum



OV-3-H016033
Ana Gövde
Polipropilen



OV-4- H021530 İç
Kapak Alüminyum



OV-4- H021533
İç Kapak
Polipropilen



OV-5-S031530
Dış Kapak
Alüminyum



OV-5-S031531
Dış Kapak
Dökme Demir



OV-5-S031532
Dış Kapak
Paslanmaz Çelik



OV-6-S041545
Top NEOPREN



OV-6-S041546
Top SANTOPREN



OV-6-S041547
Top BUNA N NBR



OV-6-S041548
Top EPDM



OV-6-S041550
Top TEFLON PTFE



OV-6-S041551
Top VITON FKM



OV-7-S051536
Top Yuvası
Polyethylene



OV-7-S051545
Top Yuvası
NEOPREN



OV-7-S051546
Top Yuvası
SANTOPREN



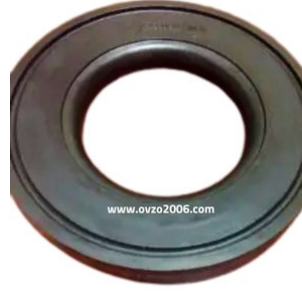
OV-7-S051547
Top Yuvası
BUNA N NBR



OV-7-S051548
Top Yuvası
EPDM



OV-7-S051550
Top Yuvası
TEFLON PTFE



OV-7-S051551
Top Yuvası
VITON FKM



OV-8-S061545
Diyafam
NEOPREN



OV-8-S061546
Diyafam
SANTOPREN



OV-8-S061547
Diyafam
BUNA N NBR



OV-8-S061548
Diyafam
EPDM



OV-8-S061550
Diyafam
TEFLON PTFE



OV-8-S061551
Diyafam
VITON FKM



OV-9-H034030
Hava Valfi Tamir
Kiti Alüminyum



OV-9-H034033
Hava Valfi Tamir
Kiti Polipropilen



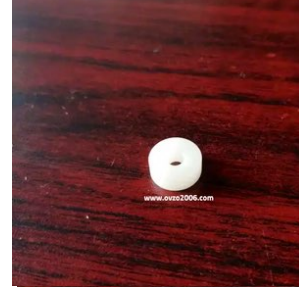
OV-10-H044030
Pilot Valfi Tamir
Kiti Alüminyum



OV-10-H044033
Pilot Valfi Tamir
Kiti Polipropilen



OV-11 H055047
Dayama



OV-12- H064034
Pim Burcu
Polipropilen



OV-13-H075030
Kapak, Hava Girişi
Alüminyum



OV-13-H075033
Kapak, Hava Girişi
Polipropilen



OV-14-H084047
Conta, Hava Valfi
İçin BUNA N NBR



OV-15- H094047
Conta, Pilot Valf
Ön



OV-16- H104047
Conta, Pilot Valf
Arka



OV-17- H115047
İç Kapak Contası



OV-18- H124047
O-ring, Pim İçin



OV-19- H131530
İç Diyafram Tutucu
Alüminyum



OV-20- S071530
Dış Diyafram
Tutucu Alüminyum



OV-20- S071531
Dış Diyafram
Tutucu
Dökme Demir



OV-20- S071532
Dış Diyafram
Tutucu
Paslanmaz Çelik



OV-21- H145090
Dayama Pimi



OV-22- H151590
Mil



OV-23-H165057
Yağ Keçesi



OV-24- H174036
Susturucu
Polipropilen



OV-25- PM8 Pul
M 8



OV-26- PM10-O
Pul M 10



OV-27- CM10X60-PG
Civata M 10 X 60
(imbus)



OV-28- CM8X45
Civata M 8 X 45



OV-29- CM10X50-
P Cıvata M 10 X



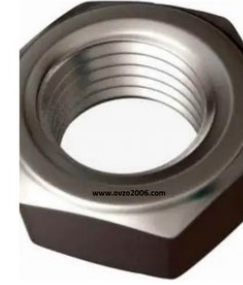
OV-30- CM10X60-
P Cıvata M 10 X
60



OV-31- CM10X30
PĞHB Cıvata M
10 X30 (imbushb)



OV-32 CM16X50-
P Cıvata M 16 X
50



OV-33 SM10-P
Somun M 10



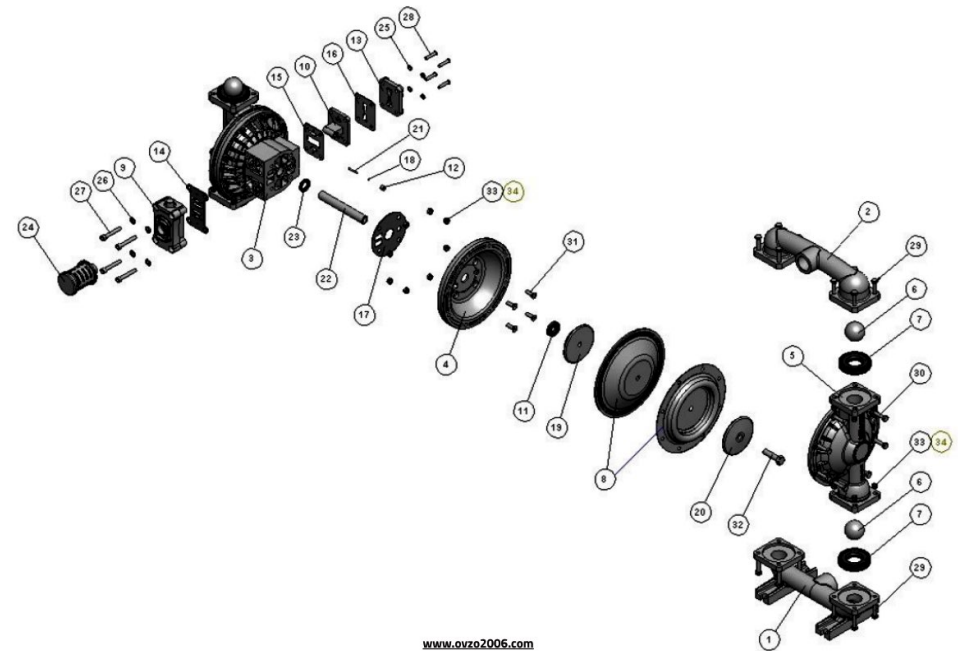
OV-34 RM10-P
Rondela M 10



OV-35-Somun
Flanşlı M 10

HUGE®PARTS

HP 20 (2") Metalik Diyaframlı Pompa *Spare PARTS*



www.ovzo2006.com

Completely interchangeable with HUGE pumps parts. HUGE® is a registered trademark of Günalsan Pompa ve Makine San. Tic. Ltd. OVZO2006® offers parts that fit HUGE products, but they are not genuine HUGE parts. All manufacturers names, symbols and descriptions on this website are used for reference purposes only, And it is not implied that any units or parts listed is the product of these manufacturers. Original Equipment Manufacturer "OEM" part / reference numbers are listed for information/reference purposes only. Trademarks identifying these parts are those of each OEM and are the property of their owners and are not used, or authorized for use, by OVZO2006 or its affiliates. Cross-referenced parts from the Original Equipment Manufacturer "OEM" are listed for information purposes only. OVZO2006 is not affiliated with the OEM or licensed/authorized to produce parts for the OEM. Some parts offered on this website are Genuine OVZO2006 Manufactured and not of the OEM.



OV-1-S012030
Giriş Hattı
Alüminyum



OV-1-S012031
Giriş Hattı
Dökme Demir



OV-1-S012032
Giriş Hattı
Paslanmaz Çelik



OV-2-S262030
Giriş Hattı
Alüminyum



OV-2-S262031
Giriş Hattı
Dökme Demir



OV-2-S262032
Ana Gövde
Paslanmaz Çelik



OV-3- H015030
Ana Gövde
Alüminyum



OV-3- H015033B
Ana Gövde
Polipropilen



OV-4-S032030 İç
Kapak Alüminyum



OV-4- S032033B
İç Kapak
Polipropilen



OV-5-S032030
Dış Kapak
Alüminyum



OV-5-S032031
Dış Kapak
Dökme Demir



OV-5-S032032
Dış Kapak
Paslanmaz Çelik



OV-6-S042045
Top NEOPREN



OV-6-S042046
Top SANTOPREN



OV-6-S042047
Top BUNA N NBR



OV-6-S042048
Top EPDM



OV-6-S042050
Top TEFLON PTFE



OV-6-S042050
Top TEFLON PTFE



OV-7-S052036
Top Yuvası
Polyethylene



OV-7-S052045
Top Yuvası
NEOPREN



OV-7-S052046
Top Yuvası
SANTOPREN



OV-7-S052047
Top Yuvası
BUNA N NBR



OV-7-S052048
Top Yuvası
EPDM



OV-7-S052050
Top Yuvası
TEFLON PTFE



OV-7-S052051
Top Yuvası
VITON FKM



OV-8-S062045
Diyafram
NEOPREN



OV-8-S062046
Diyafram
SANTOPREN



OV-8-S062047
Diyafram
BUNA N NBR



OV-8-S062048
Diyafram
EPDM



OV-8-S062050
Diyafram
TEFLON PTFE



OV-9- H034030
Hava Valfi Tamir
Kiti



OV-9- H034033B
Hava Valfi Tamir
Kiti



OV-10- H044030
Pilot Valfi Tamir
Kiti



OV-10- H044033B
Pilot Valfi Tamir
Kiti



OV-11- H055047
Dayama



OV-12- H064034
Pim Burcu



OV-13- H072030
Kapak, Hava Girişi
Alüminyum



OV-13- H072033B
Kapak, Hava Girişi
Polipropilen



OV-14- H084047
Conta, Hava Valfi
İçin



OV-15- H094047
Conta, Pilot Valf
Ön



OV-16- H104047
Conta, Pilot Valf
Arka



OV-17- H115047
İç Kapak Contası



OV-18- H124047
O-ring, Pim İçin



OV-19- H132030
İç Diyafram Tutucu
Alüminyum



OV-20 S072030
Dış Diyafram
Tutucu Alüminyum



OV-20 S072031
Dış Diyafram
Tutucu Dökme
Demir



OV-20 S072032
Dış Diyafram
Tutucu Paslanmaz
Çelik



OV-21-H145090
Dayama Pimi



OV-22-H152090
Mil
Paslanmaz Çelik



OV-23-H165047
Yağ Keçesi



OV-24- H174036
Susturucu
Polipropilen



OV-24-H174030
Susturucu Metal



OV-25- PM8 Pul
M 8



OV-26- PM10-O
Pul M 10



OV-27- CM10X60-
PG Cıvata M 10 X
60 (imbus)



OV-28- CM8X45-P
Cıvata M 8 X 45



OV-29- CM10X60-P
Cıvata M 10 X 60



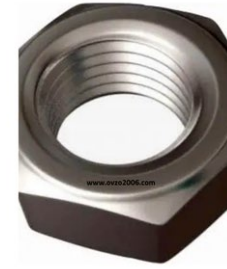
OV-30- CM10X55-P
Cıvata M 10 X 55



OV-31- CM10X30-
PĞHB Cıvata M
10 X30 (imbushb)



OV-32- CM16X60-P
Cıvata M 16 X 60



OV-33- SM10-F
Somun M 10



OV-34- RM10
Rondele M 10

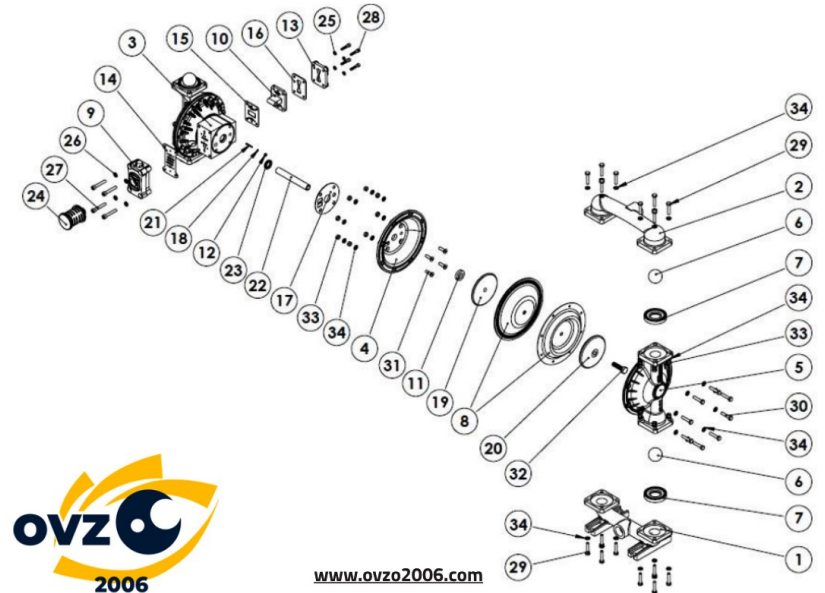


OV-35-Somun
Flanşlı M 10

HUGE®PARTS



HP 30 (3") Metalik Diyaframlı Pompa *Spare PARTS*



www.ovzo2006.com

Completely interchangeable with HUGE pumps parts. HUGE® is a registered trademark of Günalsan Pompa ve Makine San. Tic. Ltd. OVZO2006® offers parts that fit HUGE products, but they are not genuine HUGE parts. All manufacturers names, symbols and descriptions on this website are used for reference purposes only. And it is not implied that any units or parts listed is the product of these manufacturers. Original Equipment Manufacturer "OEM" part / reference numbers are listed for information/reference purposes only. Trademarks identifying these parts are those of each OEM and are the property of their owners and are not used, or authorized for use, by OVZO2006 or its affiliates. Cross-referenced parts from the Original Equipment Manufacturer "OEM" are listed for information purposes only. OVZO2006 is not affiliated with the OEM or licensed/authorized to produce parts for the OEM. Some parts offered on this website are Genuine OVZO2006 Manufactured and not of the OEM.



OV-1-S013030
Giriş Hattı
Alüminyum



OV-1-S013031
Giriş Hattı
Dökme Demir



OV-1-S013032
Giriş Hattı
Paslanmaz Çelik



OV-2-S023030
Giriş Hattı
Alüminyum



OV-2-S023031
Giriş Hattı
Dökme Demir



OV-2-S023032
Ana Gövde
Paslanmaz Çelik



OV-3- H016030
Ana Gövde
Alüminyum



OV-3- H016033B
Ana Gövde
Polipropilen



OV-4- H023030 İç
Kapak Alüminyum



OV-4- H023033B
İç Kapak
Polipropilen



OV-5-S033030
Dış Kapak
Alüminyum



OV-5-S033031
Dış Kapak
Dökme Demir



OV-5-S033032
Dış Kapak
Paslanmaz Çelik



OV-6-S043045
Top NEOPREN



OV-6-S043046
Top SANTOPREN



OV-6-S043047
Top BUNA N NBR



OV-6-S043048
Top EPDM



OV-6-S043050
Top TEFLON PTFE



OV-6-S043051
Top VITON FKM



OV-7-S053036
Top Yuvası



OV-7-S053045
Top Yuvası
NEOPREN



OV-7-S053046
Top Yuvası
SANTOPREN



OV-7-S053047
Top Yuvası
BUNA N NBR



OV-7-S053048
Top Yuvası
EPDM



OV-7-S053050
Top Yuvası
TEFLON PTFE



OV-7-S053051
Top Yuvası
VITON FKM



OV-8-S063045
Diyafam
NEOPREN



OV-8-S063046
Diyafam
SANTOPREN



OV-8-S063047
Diyafam
BUNA N NBR



OV-8-S063048
Diyafam
EPDM



OV-8-S063050
Diyafam
TEFLON PTFE



OV-9- H034030
Hava Valfi Tamir
Kiti



OV-9- H034033B
Hava Valfi Tamir
Kiti



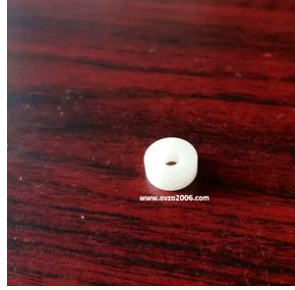
OV-10- H044030
Pilot Valfi Tamir
Kiti



OV-10- H044033B
Pilot Valfi Tamir
Kiti



OV-11- H055047
Dayama



OV-12- H064034
Pim Burcu



OV-13- H075030
Kapak, Hava Girişi
Alüminyum



OV-13- H075033B
Kapak, Hava Girişi
Polipropilen



OV-14- H084047
Conta, Hava Valfi
İçin



OV-15- H094047
Conta, Pilot Valf
Ön



OV-16- H104047
Conta, Pilot Valf
Arka



OV-17- H115047
İç Kapak Contası



OV-18- H124047
O-ring, Pim İçin



OV-19- H137030
İç Diyafram Tutucu
Alüminyum



OV-20 S073030
Dış Diyafram
Tutucu Alüminyum



OV-20 S073031
Dış Diyafram
Tutucu Dökme
Demir



OV-20 S073032
Dış Diyafram
Tutucu Paslanmaz
Çelik



OV-21-H145090
Dayama Pimi



OV-22-H153090
Mil
Paslanmaz Çelik



OV-23-H165047
Yağ Keçesi



OV-24- H174036
Susturucu
Polipilen



OV-24-H174030
Susturucu Metal



OV-25- PM8 Pul
M 8



OV-26- PM10-O
Pul M 10



OV-27- CM10X60-
PG Cıvata M 10 X
60 (imbus)



OV-28- CM8X45-P
Cıvata M 8 X 45